

MODEL #01650

Silhouette Student Desk

DESIGN:

Shipped ready to assemble, these desks have a heavy-duty work surface that won't sag under heavy books or equipment. The Silhouette Desk is great for rows, pairs, or groupings for collaborative learning.

MATERIALS:

The 1 1/4" thick work surface consists of a 45 lb density particle board core with a .030" high pressure laminated surface and a .020" melamine backer sheet. The edge of the work surface features 3/8" bumper edge molding that is fastened every 6 to 8 inches to assure a long lasting fit. The frame is attached to the pre-drilled holes in the top with (6) #10 screws through a 1" x 1.75" 18-gauge steel channel. The mounting channel is welded to a 1" x 2" rectangular 16-gauge steel tube leg. The leg inserts are 1" x 1 1/4" 16-gauge steel tube and adjust in height from 22" to 30" in 1" increments. The adjustment for each leg is secured with (2) allen screws.

The legs are tied together for added strength with a 1" x 2" 16-gauge steel tube stretcher bar and (4) bolts. Legs have 1" leveling glides. Book Box is optional (Model 17193), all welded 22-gauge steel construction that has a curled hem on the front opening. Book box comes in a BLACK powdercoat finish, Champagne or Platinum is special order only. Book box sold seperately.

DIMENSIONS & FREIGHT:

Model	Description	D"	W"	H"	F.C.	Cube	Wt.	UPS
Silhouette Desk								
01650	Silhouette Desk, Single Student	20	27	22-30	70	1.3	40	✓
	01650 Carton Dimensions	21	28	7				
Optional Accessories								
17193	Steel Book Box - for 20 x 27 desk	15	22	4	70	3.0	9	✓
17200	Wire book basket	15	18	3.5	70	3.0	5	✓
30926	EW (Extra Wide) Tote Tray with housing	16.6	18.4	3	70	1.13	8	✓

AVAILABLE COLORS:

Silhouette Desk
Leg Color Choice



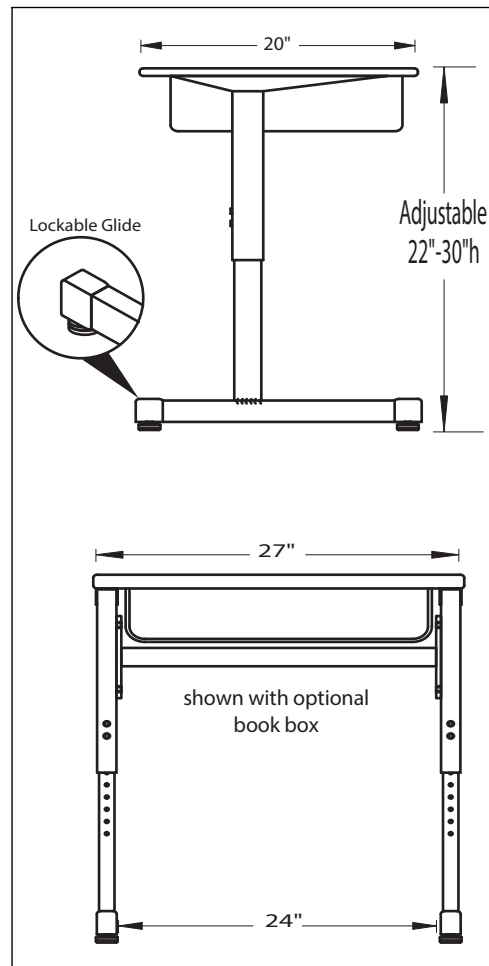
Silhouette Laminate Color Choice



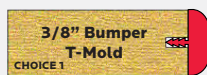
Silhouette Edge Color Choice



PRODUCT SPECIFICATIONS:



1 1/4" Tops



CHOICE 1 - 1 1/4" top with Bumper T-Mold
no letter to follow Model No.

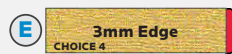


CHOICE 2 - 1 1/4" top with 3mm Edge
F to follow Model No. *Rectangle only.*

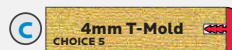


CHOICE 3 - 1 1/4" top with 4mm T-Mold
D to follow Model No.

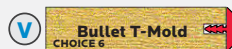
3/4" Tops



CHOICE 4 - 3/4" top with 3mm Edge
E to follow Model No. *Rectangle only.*



CHOICE 5 - 3/4" top with 4mm T-Mold
C to follow Model No.



CHOICE 6 - 3/4" top with Bullet T-Mold
V to follow Model No.

Silhouette Desks Have Top and Edge Choices