

## CASCADE TEACHER DESK STANDARD TOP - DOUBLE CABINET MODEL #26174

The Cascade Teachers Desk offers a stable, mobile and versatile workspace with integrated wireway and modesty panel plus the unique capabilities of Cascade storage. It offers a scalable solution for organization, storage and distribution of learning materials.

### Material

The top is made of 1-1/4" thick particle board core with 0.030" high pressure laminated surface and a .020" backer with bumper edge that is mechanically fastened every 6 to 8 inches. The pedestal is constructed of fully welded 20 gauge steel components and comes standard with 3" plate casters. Each plate caster takes 4 machine screws to fasten to the ped. The two tote pedestals are configured with (6) 3" translucent totes and a lockable door for security. The modesty panel is mechanically fastened to the pedestals and to the laminated top.

### Optional Accessories

- 17342 Center Drawer
- 17352 Flat Panel Monitor Mount
- 00471 Dual Surface Desktop Lectern
- 17620 Keyboard Tray

### Overall Dimensions

67" X 24" X 30.25"

### Freight

Weight 152 lbs.  
Freight Class: 70

### Box Dimensions

- Box 1: 75" x 31" x 3"
- Box 2: 16.5" x 21.5" x 27"
- Box 3: 16.5" x 21.5" x 27"

### Available Colors

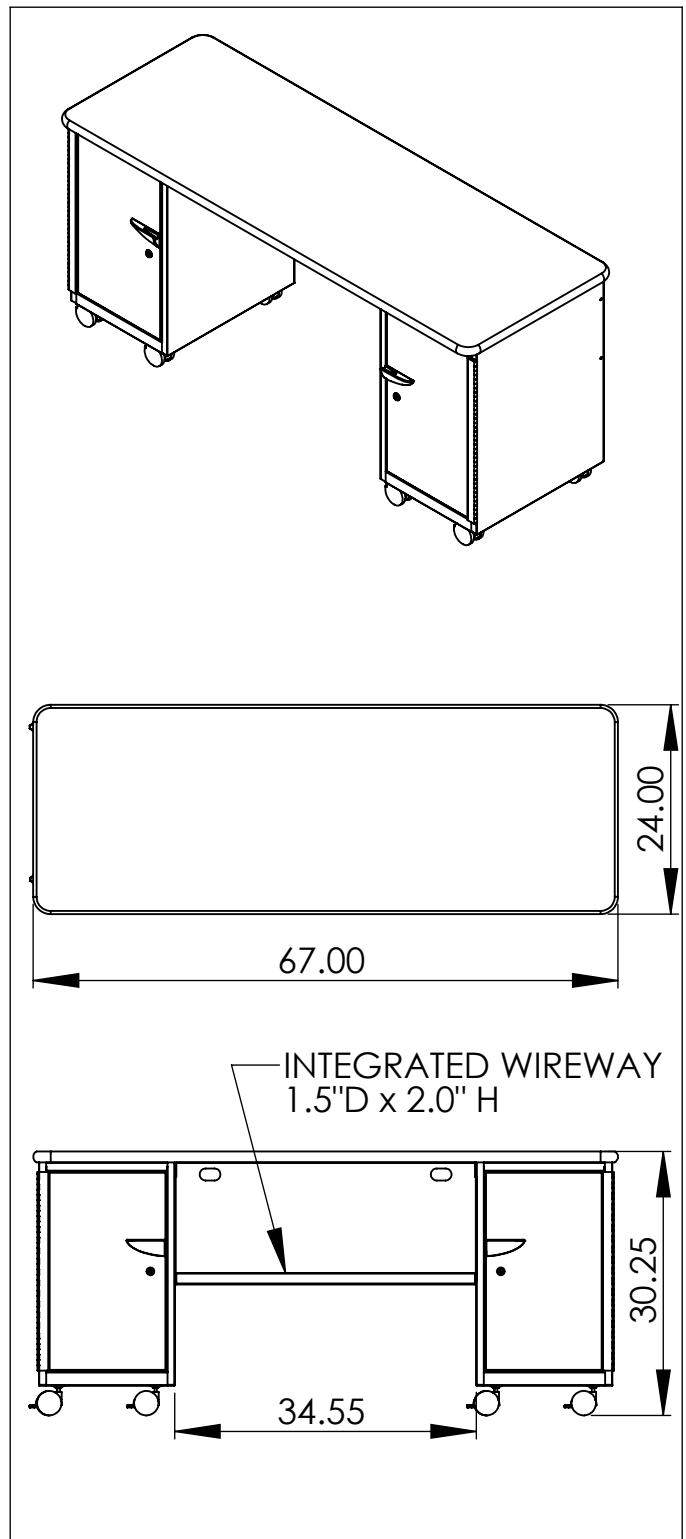
Frame: Platinum

#### Laminate Colors:

Amber Cherry, Blond Echo, Fusion Maple, Golden Oak, Grey Mesh, Grey Nebula, New Age Oak, Pewter Mesh, Tan Echo, Wild Cherry.  
(Smith System is proud to offer any Wilsonart 60 Series laminate at no up charge for orders of 20 or more)

#### Edge Colors:

Apple, Black, Blueberry, Burgundy, Cerulean, Champagne, Charcoal, Chocolate, Clementine, Forest Green, Fuchsia, Mint, Mocha, Navy, Persian Blue, Platinum, Purple, Red, White, Yellow.



For more information, call 1.800.328.1061  
or email [furniture@smithsystem.com](mailto:furniture@smithsystem.com)

